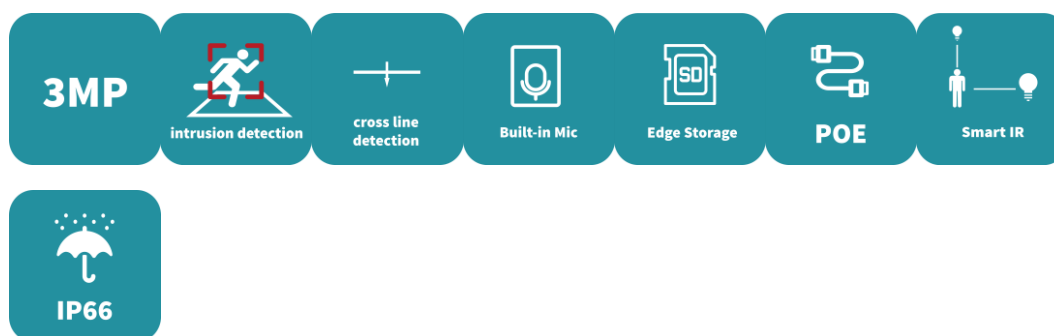


3MP HD Dual Light Network PT Camera

IPC-P213-AF40KC



Features

- 2304*1296@20fps in the main stream
- Ultra 265, H.265, H.264
- Support cross line detection and intrusion detection
- Support digital WDR (Wide Dynamic Range)
- Built-in Mic & Speaker, support two-way audio, offer better interaction
- Smart IR, Up to 30 m (98 ft) IR and 30m (98 ft) warm light distance, suitable for more scenes
- Self-contained bracket, support two kinds of mounting
- Supports 256 G Micro SD card
- IP66 ingress protection
- DC12V or PoE (IEEE 802.3af) power supply
- The front face is made of grapheme, which has better heat dissipation and more environmental protection

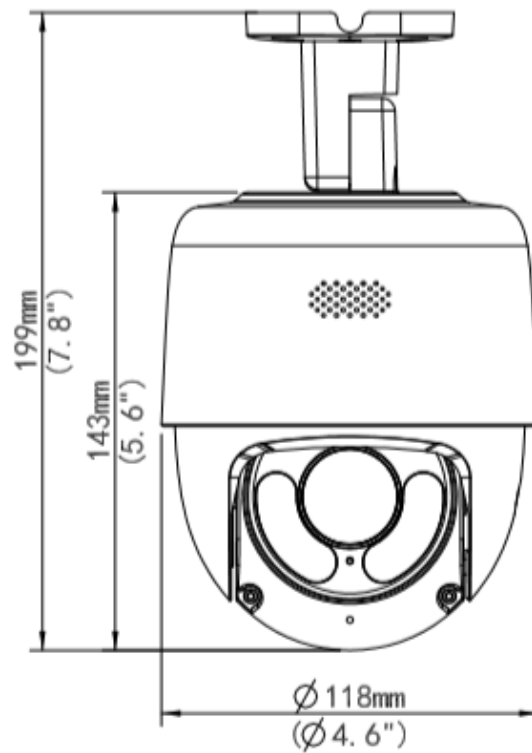
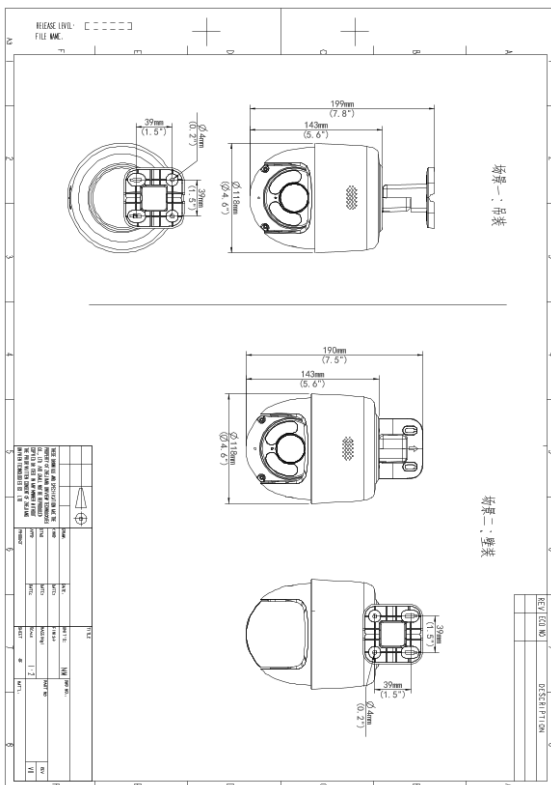
Specifications

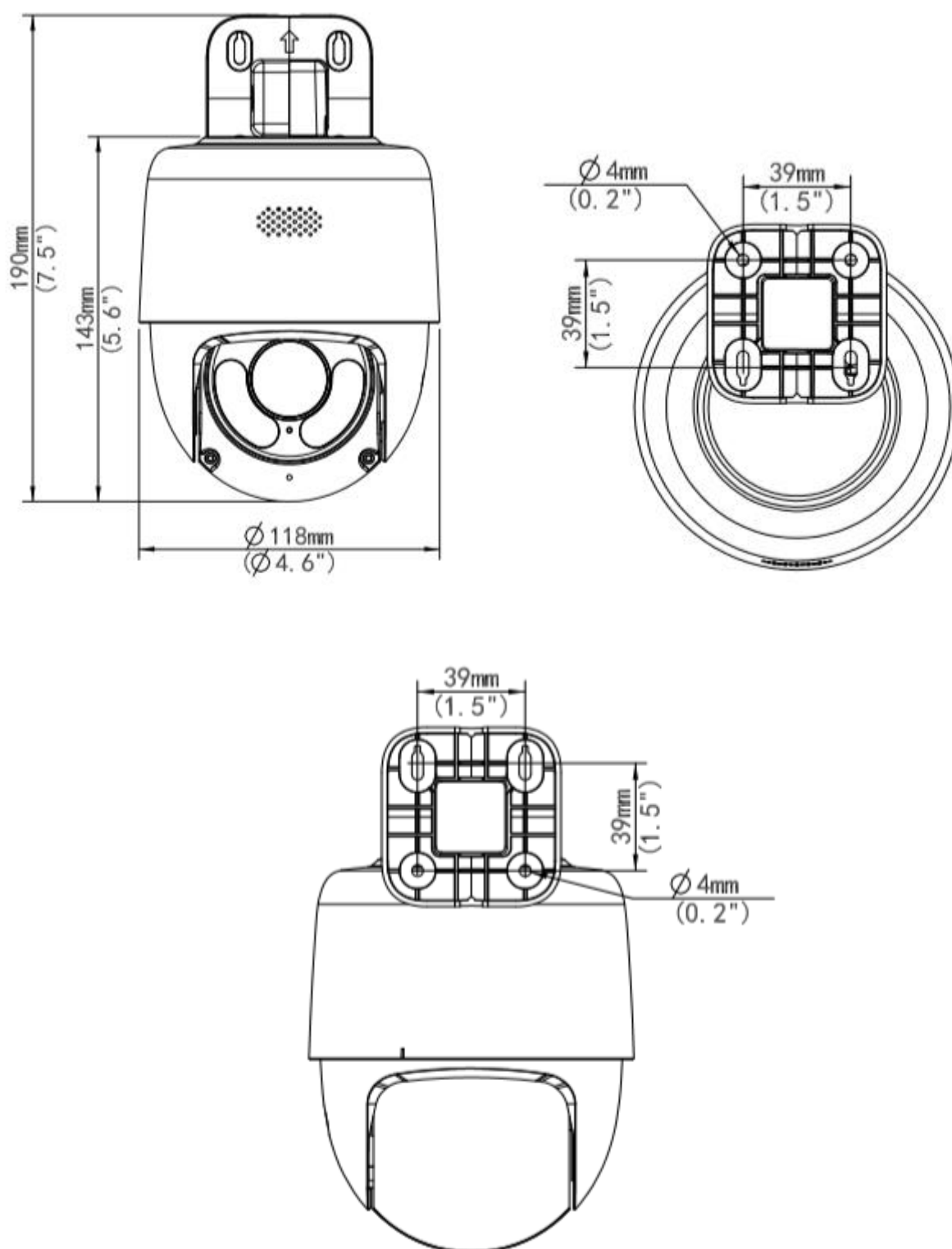
Camera	Description
Resolution	3MP
Sensor	1/2.8"CMOS
Min. Illumination	Colour:0.005 lux (F1.6, AGC ON) 0 lux with IR
Day/Night	IR-cut filter with auto switch (ICR)
Shutter	Auto/Manual, 1 ~ 1/100000s
WDR	DWDR
S/N	>52dB
Lens	Description
Lens type	4mm
Optical Zoom	N/A
Iris	F1.6
Iris Type	Fixed
Field of View (H)	90.5°
Field of View (V)	44.4°
Field of View (D)	111.3°
DORI	Description
DORI Distance (Lens)	4mm
DORI Distance (Detect)	73.5 (241.0ft)
DORI Distance (Observe)	29.4 (96.4ft)
DORI Distance (Recognize)	14.7 (48.2ft)
DORI Distance (Identify)	7.3 (24.1ft)
Illuminator	Description
Illumination Distance(IR)	30m
Illumination Distance(Warm Light)	30m
Wavelength	850nm
IR On/Off Control	Auto/Manual
Video	Description
Video Compression	Ultra 265; H.265; H.264
Frame Rate	Main Stream: 3MP (2304*1296), Max 20fps; Sub Stream: 640*360, Max 20fps
Video Bit Rate	128 Kbps~6144Kbps
ROI	Support
Video stream	Dual streams
OSD	Up to 2 OSDs
Privacy Mask	Up to 4 areas

Image	Description
White Balance	Auto; Outdoor; Fine Tune; Sodium Lamp; Locked; Auto2
Digital noise reduction	2D/3D DNR
Smart IR	Support
Flip	Normal; Flip Vertical; Flip Horizontal; 180°
HLC	Support
BLC	Support
Defog	Digital Defog
Intelligent	Description
Behavior Detection	Cross Line detection; Intrusion detection
Smart intrusion prevention	N/A
People Counting	N/A
Events	Description
Basic Detection	Motion detection; Audio detection
Auto Tracking	N/A
General Function	Access Policy; RTSP Authentication; User Authentication
Storage	Description
Edge Storage	Micro SD, up to 256 GB
Network Storage	ANR
Network	Description
Protocols	IPv4; TCP; UDP; DHCP; RTSP; DNS; DDNS; NTP; HTTP; HTTPS; 802.1x; SSL/TLS
Compatible Integration	ONVIF (Profile S, Profile G); API
Client	Uniarch Client; Uniarch app
Web Browser	Plug-in required live view: IE 10 and above, Chrome 45 and above, Firefox 52 and above, Edge 79 and above
Pan/Tilt	Description
Pan Range	0° ~ 345°
Pan Speed	1° /s ~ 40° /s; Preset speed: 40° /s
Tilt Range	0° ~ 90°
Tilt Speed	0.1° /s ~ 30° /s; Preset speed: 30° /s
Number of Presets	256
Home Position	Support
Interface	Description
Audio I/O	N/A
Alarm I/O	N/A
Serial Port	N/A
Built-in Mic	Support
Built-in Speaker	Support
WIFI	N/A
Network	1 * RJ45 10M/100M Base-TX Ethernet

Video Output	N/A
Certification	Description
Protection	Ingression protection: IP66 Vandal resistant: N/A
General	Description
Power	DC 12V ±25%, PoE (IEEE 802.3af)
Power Consumption	MAX 9W
Power Interface	Ø 5.5mm coaxial power plug
Dimensions	Φ 118mm*118mm*199mm (Φ 4.6" x 4.6" x 7.8")
Weight	0.53kg(1.17lb)
Working Environment	-30 ° C ~ 60 ° C (-22 ° F ~ 140 ° F), Humidity: ≤95% RH (non-condensing)
Surge protection	4KV
Reset button	Support

Dimensions





Zhejiang Uniview Technologies Co., Ltd.

No. 369, Xietong Road, Xixing Sub-district, Binjiang District, Hangzhou City, 310051, Zhejiang Province, China

Email: overseasbusiness@uniview.com; globalsupport@uniview.com

<http://www.uniview.com>

©2024 Zhejiang Uniview Technologies Co., Ltd. All rights reserved.

*Product specifications and availability are subject to change without notice.

*Despite our best efforts, technical or typographical errors may exist in this document. Uniview cannot be held responsible for any such errors and reserves the right to change the contents of this document without prior notice.



Hangzhou TDT Technologies Co., Ltd.
 Room 101, Building 3, No. 12, Binwen Road,
 Xixing Street, Binjiang district, Hangzhou, Zhejiang, China
 Telephone +86571-88317620
 Telefax +86571-88316350

CE EMC Certification of Conformity


Certificate No.: JCZS(E)20220601019-C

The samples of the below product have been found to comply with the essential requirements of the relevant standards.

Product : IP Camera
Type Designation/Trademark : See Annex
Applicant : Zhejiang Uniview Technologies Co., Ltd.
Address : 1-3/F Area A and 2/F Area B, Building 2; 1-11/F South Tower, Building 10, 88 Jiangling Road, Xixing Town, Binjiang District, Hangzhou City, P.R.China
Manufacturer's Name : Zhejiang Uniview Technologies Co., Ltd.
Manufacturer's Address : 1-3/F Area A and 2/F Area B, Building 2; 1-11/F South Tower, Building 10, 88 Jiangling Road, Xixing Town, Binjiang District, Hangzhou City, P.R.China
Measurement Facilities : Hangzhou TDT Technologies Co., Ltd.
Relevant Standard(s) / Specification(S) / Directive(S) : EMC Directive 2014/30/EU
 EN 55032:2015
 EN 55035:2017
 EN 61000-3-2:2014
 EN 61000-3-3:2013



Accreditations :  Recognition Number: 645845

 Accreditation Number: C-14683, G-10832, R-14200, T-12223

Report Number : JCBG(E)20220601019-C

Issued Date : June 22, 2022

Issued by : Bing Cai

Position/Title : General Manager

Signature : Bing Cai





Hangzhou TDT Technologies Co., Ltd.
Room 101, Building 3, No. 12, Binwen Road,
XixingStreet,Binjiang district, Hangzhou, Zhejiang, China
Telephone +86571-88317620
Telefax +86571-88316350

This is an Annex to Test Verification of Conformity with Verification/Report Number(S):
JCBG(E)20220601019-C. The issuing office is Hangzhou TDT Technologies Co., Ltd. (Address:
Room 101, Building 3, No. 12, Binwen Road, Xixing Street, Binjiang
district, Hangzhou, Zhejiang, China)

Model(s) : IPC-P213-AF40KC; IPC-P213-xxxxxxx-yyyyyyy-zzz
(where x,y,z may be blank, one letter or more combination letters from '0-9, A-Z and
a-z'; '-' is optional)

NOTE: This Annex is part of the Test Verification of Conformity and should be read in conjunction with it.

This Verification is for the exclusive use of TDT's Client and is provided pursuant to the agreement between TDT and its Client. TDT's responsibility and liability are limited to the terms and conditions of the agreement. TDT assumes no liability to any party, other than to the Client in accordance with the agreement, for any loss, expense or damage occasioned by the use of this Verification. Only the Client is authorized to copy or distribute this Verification. Any use of the TDT name or one of its marks for the sale or advertisement of the tested material, product or service must first be approved in writing by TDT. The observations and test results referenced from this Verification are relevant only to the sample tested. This Verification by itself does not imply that the material, product, or service is or has ever been under an TDT certification program.

Issued Date : June 22, 2022

Issued by : Bing Cai

Position/Title : General Manager

Signature : Bing Cai





Product Service

Attestation of Compliance

No. N5A 083707 0377 Rev. 00

Holder of Certificate: **ZHEJIANG UNIVIEW TECHNOLOGIES CO., LTD.**

88 Jiangling Road, Xixing Town
Binjiang
310051 Hangzhou
PEOPLE'S REPUBLIC OF CHINA

Product: **Camera
IP Camera**

Model(s): **IPC-P213-AF40KC, IPC-P213-AF40KC-NB,
IPC-P213-xxxxxxx-yyyyyyy-zzz
(‘x’ can be 0-9, A-Z, a-z or blank,
denoting difference in interface;
‘y’ can be 0-9, A-Z, a-z or blank,
denoting performance difference;
‘z’ can be 0-9, A-Z, a-z or blank,
denoting target regional; ‘-’ may be blank)**


Parameters: Rated input: 12V $\bar{=}$, 1.5A;
POE 48V $\bar{=}$, 0.5A
Protection class: III

Tested according to: EN 62368-1:2014/A11:2017

This Attestation of Compliance is issued on a voluntary basis and confirms the compliance with the listed electrical safety standards for electrical equipment below 50 V AC or 75 V DC, which is below the voltage limits of the Low Voltage Directive 2014/35/EU. It refers only to the particular sample submitted for testing and certification. For details see: www.tuvsud.com/ps-cert

Test report no.: 4842022107700

Date, 2022-09-05


(Bin Li)



ΔΗΛΩΣΗ ΣΥΜΜΟΡΦΩΣΗΣ ΕΕ

Nr 2023/01041

Για τα ακόλουθα προϊόντα

εξοπλισμού

: IP Κάμερα

Τύπος Προϊόντος/Εμπορικό

IPC-B122-APF28K

Σήμα:

IPC-T122-APF28K

IPC-D122-PF28K

IPC-P213-AF40KC

IPC-B124-APF28K

IPC-T124-APF28K

IPC-D124-PF28K

IPC-B314-APKZ

IPC-T314-APKZ

IPC-D314-APKZ

IPC-B125-APF28

IPC-T125-APF28

IPC-D125-PF28

IPC-B315-APKZ

IPC-T315-APKZ

IPC-D315-APKZ

Όνομα Κατασκευαστή

: ZHEJIANG UNIVIEW TECHNOLOGIES CO., LTD

Διεύθυνση Κατασκευαστή

No. 369, Xietong Road, Xixing Sub-district,
Binjiang District, Hangzhou City, China (zhejiang)
Pilot Free Trade Zone

στο οποίο αναφέρεται η παρούσα δήλωση, και είναι σύμφωνο με τα ακόλουθα πρότυπα ή άλλα έγγραφα κανονισμού:"

"Οδηγία του Συμβουλίου 2014/30/ΕΕ - Οδηγία EMC"

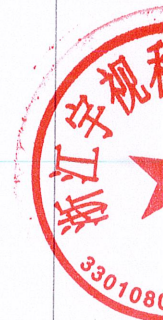
EN 55032:2015+A11:2020+A1:2020

EN 50130-4:2011+A1:2014

EN IEC 61000-3-2:2019+A1:2021

EN 61000-3-3:2013+A1:2019+A2:2021

"Οδηγία του Συμβουλίου 2014/35/ΕΕ - Οδηγία Χαμηλής Τάσης"



EN IEC 62368-1:2020+A11:2020

"Οδηγία του Συμβουλίου (ΕΕ) 2015/863 τροποποιώντας το Παράρτημα II της Οδηγίας 2011/65/ΕΕ"

"Υπεύθυνος για την κατάθεση αυτής της δήλωσης είναι ο:

Κατασκευαστής Εξουσιοδοτημένος εκπρόσωπος που έχει εγκατασταθεί στην ΕΕ

Υπεύθυνος για την κατάθεση αυτής της δήλωσης

Όνομα, Επίθετο : 白宗杭

Θέση/Τίτλος : Sales Engineer

Hangzhou

2024.07.24

(Μέρος)

(Ημερομηνία)

(Σφραγίδα της εταιρείας και νόμιμη υπογραφή)

