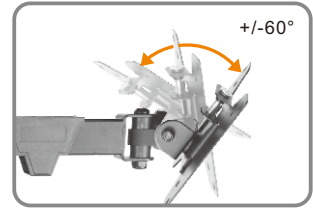
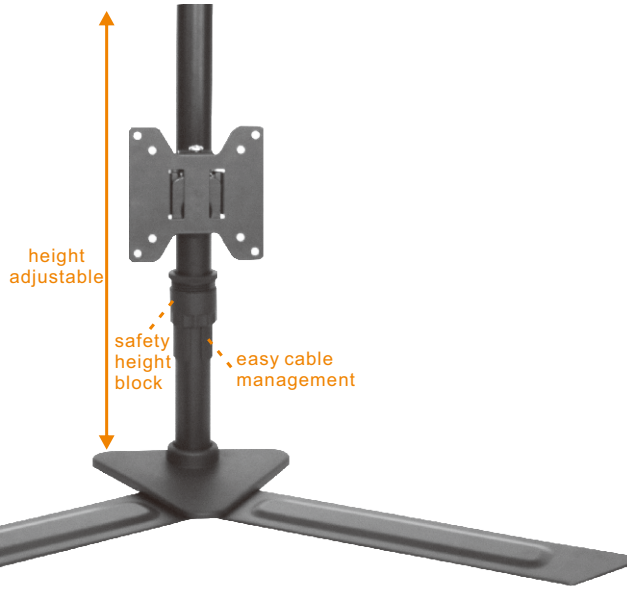
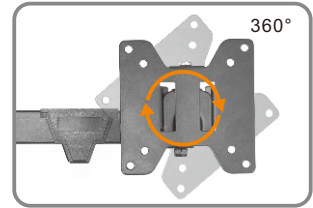


# Focus Mount

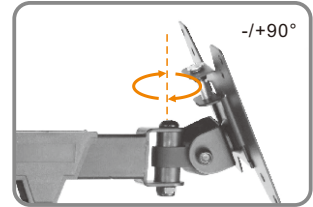
## LCD Monitor Desktop Mount



**Tilt**

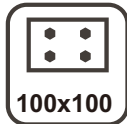


**Rotation**



**Swivel**

### FDM800



100x100



Max

10Kg



14''-30''

### Distributor

- DOTMEDIA LTD
- Add: 18 KATEVASIAS str & DALIAS str
- ACHARNES 13671 ATHENS-GREECE
- Tel. +302102849836 Fax +302102446835
- E-mail: [info@dot-media.gr](mailto:info@dot-media.gr)



5 201964 099887

