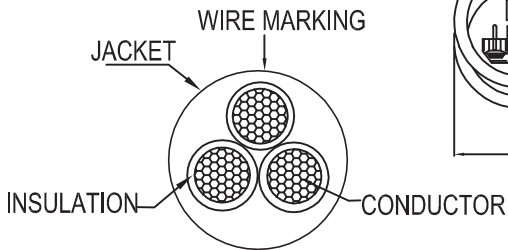
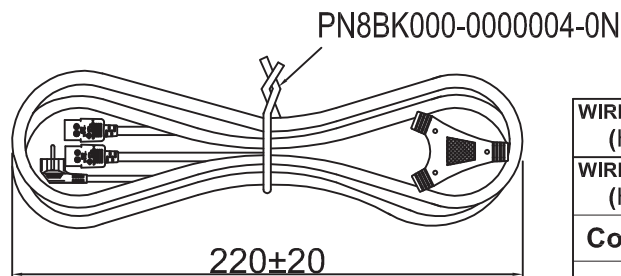
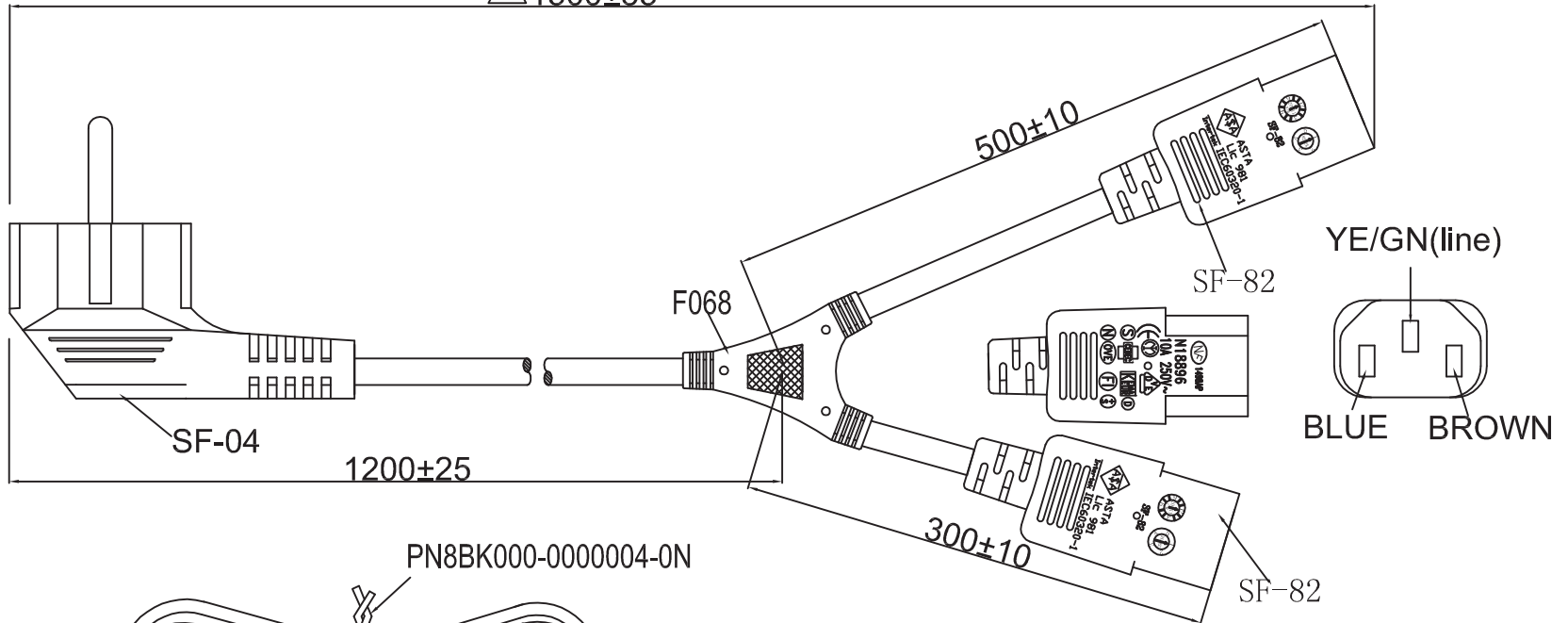
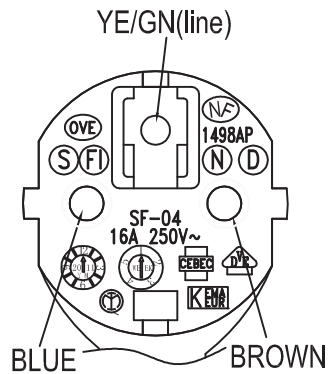


ROHS COMPLIANT

A/0	DATE	REV	DESCRIPTION	BY	CHECK
		A/0			

⚠ 1500±35



WIRE MARKING: (Hollow)	+ 0 + 0 + 0 KEMA-KEUR CECEC 972 Δ VDE NF-USE 1345 IEMMEQU H05VV-F 3G0.75MM ² V-75 300/500V ORDINARY DUTY NSW17436						
WIRE MARKING: (Hollow)	+ 0 + 0 + 0 KEMA-KEUR CECEC 972 Δ VDE NF-USE 1345 IEMMEQU H05VV-F 3G1.0MM ² V-75 300/500V ORDINARY DUTY NSW17436						
Conductor 導體		Insulation 絕緣體			Jacket 被覆體		Overall diameter 完成外徑
mm ²	Resistance maximum 最大電阻(≤)	Min.Thick 最小厚度	Diameter 絕緣外徑	Length of Lay 芯絞	Min.Thick 最小厚度	AVG.Thick 平均厚度	
0.75 (24/0.190)	at20°C,26.0ohms/km	0.44mm	2.4±0.1mm	130 ↓ mm	0.58mm	0.8mm	6.8±0.1mm
1.0 (32/0.190)	at20°C,19.5ohms/km	0.44mm	2.5±0.1mm	130 ↓ mm	0.58mm	0.8mm	7.0±0.1mm
(NOTE: IF THE CONDUCTORS O.D IS GO BEYOND THE SCOPE, THE RESISTANCE OF CONDUCTOR IS STANDARD THEN)							

ELECTRIC TESTING:

1. 100% OPEN & SHORT TESTING .
2. VOLTAGE RATING:AC ≥2000V/S ≥0.5MA
- 3.PLUG(SF-04) RATED POWER:250V 10/16A
- 4.PLUG(SF-82) RATED POWER:250V 10A
- 5.WIRE: H05VV-F 1.0/3GX1 RATED VOLTAGE:300/500V
- 6.WIRE:H05VV-F 0.75/3GX2 RATED VOLTAGE:300/500V
- 7.COLOR:BLACK

Power Cable

LogiLink®

CP101
Y-Power Cord, Schuko IEC Plug, right angled to 2 x Schuko Female C13
Color: Black
Length: 1,5M

RoHS compliant Made in China

4 260113 575727

Label Size: 70 x 50 mm
R= 2mm

PAGE	1/1	2direct GmbH			
重點尺寸	⚠				
Unless specified on the drawing, tolerances are per the follows: .X ± 1 .XX ± 0.2 .XX ± 0.05		DESCRIPTION	CP101 Y-Power Cord, Schuko IEC Plug, right angled to 2 x Schuko Female C13		
		CUSTOMER NAME			CUSTOMER NO.
3RD		CUSTOMER PART NO.	DRAW	DATE	2011/06/14
		SCALE	CHECK	DATE	
		UNIT	MM	APPROVAL	DATE
		PATH NAME	//D//DHY		