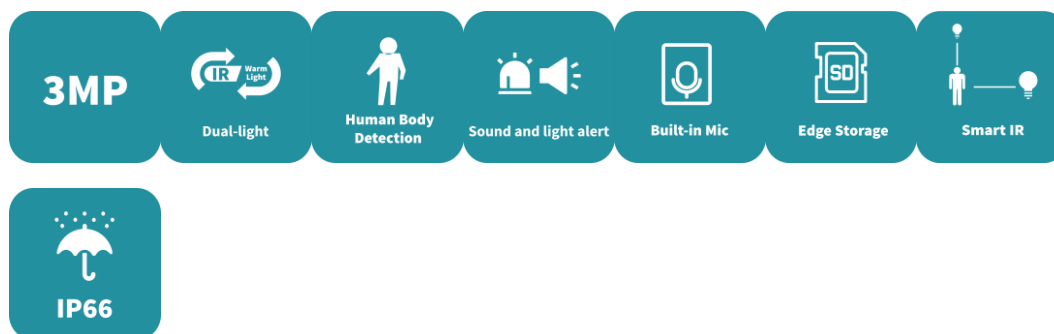


3MP HD Outdoor Pan & Tilt Wi-Fi Camera

Uho-P1A-M3F4D



Features

- High quality image with 3MP, 1/2.8"CMOS sensor
- 2304*1296@20fps in the main stream
- Ultra 265, H.265, H.264
- Support digital WDR (Wide Dynamic Range)
- Built-in Mic & Speaker, support two-way audio, offer better interaction
- Support sound and light warning, makes warning and alarming more noticeable
- Smart IR, up to 30 m (98 ft) IR and 10m (33 ft) warm light distance, suitable for more scenes
- Self-contained bracket, support two kinds of mounting
- Supports 256 GB Micro SD card
- Wi-Fi connection and easy installation
- IP66 ingress protection
- The front face is made of grapheme, which has better heat dissipation and more environmental protection

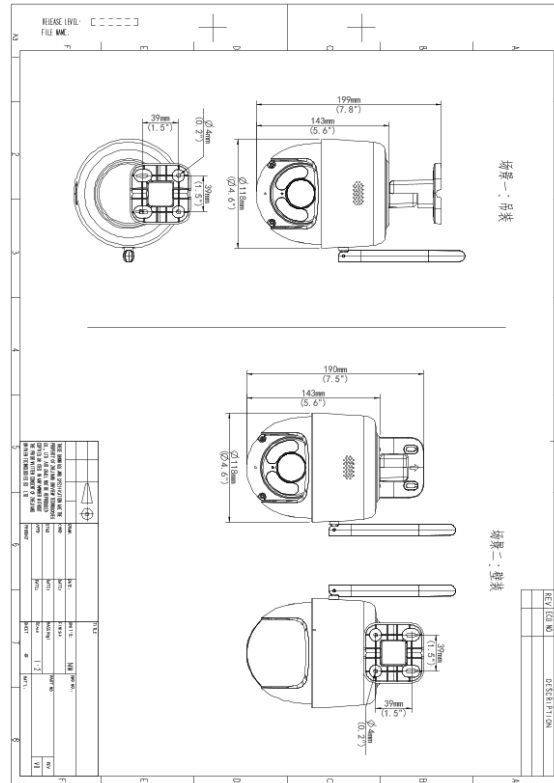
Specifications

Camera	Description
Max Resolution	3MP
Sensor	1/2.8" CMOS
Min. Illumination	Colour: 0.005Lux (F1.6, AGC ON) 0 Lux with IR on
Day/Night	IR-cut filter with auto switch (ICR)
Shutter	Auto/Manual, 1 ~ 1/100000s
S/N	>52dB
WDR	DWDR
Lens	Description
Focal Length	4.0mm
Digital Zoom	4X
Iris Type	Fixed
Iris	F1.6
Field of View (H)	90.5°
Field of View (V)	44.4°
Field of View (D)	111.3°
DORI	Description
DORI Distance(Lens)	4.0mm
DORI Distance(Detect)	73.5 (241.0ft)
DORI Distance(Observe)	29.4 (96.4ft)
DORI Distance(Recognize)	14.7 (48.2ft)
DORI Distance(Identify)	7.3 (24.1ft)
Illuminator	Description
Illumination Distance(IR)	Up to 30m (98ft)
Illumination Distance(Warm Light)	Up to 10m (33ft)
Wavelength	850nm
IR On/Off Control	Auto/Manual
Video	Description
Video Compression	Ultra 265; H.265; H.264
Frame Rate	Main Stream: 3MP (2304*1296), Max 20fps; Sub Stream: 640*360, Max 20fps;
Video Bit Rate	128 Kbps ~ 2048 Kbps
U-code	Support
OSD	Up to 2 OSDs
Privacy Mask	Support (Only NVR)
ROI	Up to 8 areas
Video Stream	Dual Streams

Image	Description
White Balance	Auto; Outdoor; Fine Tune; Sodium Lamp; Locked; Auto2
Digital Noise Reduction	2D/3D DNR
Smart IR	Support
Flip	Normal; Flip Vertical; Flip Horizontal; 180°
Dewarping	N/A
HLC	N/A
BLC	N/A
Defog	Digital Defog
Events	Description
Basic Detection	Human Body Detection; Motion Detection; Audio Detection
General Function	IP Address Filtering; Access Policy; ARP Protection; RTSP Authentication; User Authentication; HTTP Authentication
Intelligent	Description
Auto Tracking	Support
Audio	Description
Audio Compression	G.711U; G.711A
Audio Bitrate	64 Kbps
Two-way Audio	Support
Suppression	Support
Sampling Rate	8KHZ
Storage	Description
Edge Storage	Micro SD, up to 512 GB
Network Storage	ANR
Network	Description
Wi-Fi	2.4G Wi-Fi (IEEE802.11b/g/n), built-in antenna
Protocols	IPv4; TCP; UDP; DHCP; RTSP; DNS; DDNS; NTP; HTTP
Compatible Integration	API
Client	Uniarch Client; Uniarch app
Web Browser	Plug-in required live view: IE 10 and above, Chrome 45 and above, Firefox 52 and above, Edge 79 and above
Pan/Tilt	Description
Pan Range	0° ~ 345°
Pan Speed	1°/s ~ 40°/s Preset speed: 40°/s
Tilt Range	0° ~ 90°
Tilt Speed	1°/s ~ 30°/s Preset speed: 30°/s
Number of Presets	20
Interface	Description
Audio I/O	N/A

Alarm I/O	N/A
Built-in Mic	Support
Built-in Speaker	Support
WIFI	Support
Network	1 x RJ45 10M/100M Base-TX Ethernet
Certification	Description
EMC	CE-EMC (EN 55032, EN 61000-3-3, EN IEC 61000-3-2, EN 50130) FCC (FCC 47 CFR part15 B)
RF	FCC ID (FCC CFR 47 part15 C) CE RED (EN 301 489-1, EN 301 489-17, EN 300 328, EN 62311)
Safety	CE LVD (EN 62368-1)
Environment	CE-RoHS (2011/65/EU;(EU)2015/863); WEEE (2012/19/EU);
Protection	IP66 (IEC 60529)
General	Description
Power	DC 12V ±25% Power consumption: Max 10.0W
Power Interface	Ø 5.5mm coaxial power plug
Dimensions	Φ 118mm*118mm*199mm (Φ 4.6" x 4.6" x 7.8")
Weight	0.53kg (1.17lb)
Working Environment	-30 °C ~ 60 °C (-22 °F ~ 140 °F), Humidity: ≤95% RH (non-condensing)
Storage Environment	-30 °C ~ 60 °C (-22 °F ~ 140 °F), Humidity: ≤95% RH (non-condensing)
Surge Protection	4KV
Reset Button	Support
LED Indicator	1, red/green

Dimensions



Zhejiang Uniview Technologies Co., Ltd.

No. 369, Xietong Road, Xixing Sub-district, Binjiang District, Hangzhou City, 310051, Zhejiang Province, China

Email: overseasbusiness@uniview.com; globalsupport@uniview.com

<http://www.uniview.com>

©2023-2024 Zhejiang Uniview Technologies Co., Ltd. All rights reserved.

*Product specifications and availability are subject to change without notice.

*Despite our best efforts, technical or typographical errors may exist in this document. Uniview cannot be held responsible for any such errors and reserves the right to change the contents of this document without prior notice.

VERIFICATION OF COMPLIANCE

Verification No.: KSCR240400058601ATC
 Applicant: Zhejiang Uniview Technologies Co., Ltd.
 Address of Applicant: No. 369, Xietong Road, Xixing Sub-district, Binjiang District, Hangzhou City, 310051, Zhejiang Province, China
 Manufacturer: Zhejiang Uniview Technologies Co., Ltd.
 Address of Manufacturer: No. 369, Xietong Road, Xixing Sub-district, Binjiang District, Hangzhou City, 310051, Zhejiang Province, China
 Product Description: IP Camera
 Model No.: Uho-P1A-M5F4D,Uho-P1A-M5F4D-NB,Uho-P1A-M3F4D,Uho-P1A-M3F4D-N,Uho-P1A-M3F4D-NB,Uho-P1A-xxxxxxx-yyy-yyyy-zzzz (where x,y,z may be blank, one letter or more combination letters from '0-9, A-Z and a-z'; '-' is optional)
 Test Standards: EN 50130-4: 2011 +A1:2014
 EN 55032: 2015+A11:2020+A1:2020
 EN 61000-3-3: 2013+ A1:2019+A2:2021
 EN IEC 61000-3-2: 2019+A1:2021
 Test Report Number(s): KSCR240400058601

This Verification of EMC Compliance has been granted to the applicant based on the results of the tests, performed by laboratory of Compliance Certification Services (Kunshan) Inc. on the sample of the above-mentioned product in accordance with the provisions of the relevant specific standards under Directive 2014/30/EU. The CE mark can be used, under the responsibility of the manufacturer, after completion of an EU Declaration of Conformity and compliance with all relevant EU Directives.



Terry Hou
Technical Manager

Compliance Certification Services (Kunshan) Inc.




Date: 2024-04-24

This document is issued by the Company under its General Conditions of Service accessible at http://www.sgs.com/terms_and_conditions.htm. Attention is drawn to the limitation of liability, indemnification and jurisdiction issues defined therein.

Any holder of this document is advised that information contained hereon reflects the Company's findings at the time of its intervention only and within the limits of Client's instructions, if any. The Company's sole responsibility is to its client and this document does not exonerate parties to a transaction from exercising all their rights and obligations under the transaction documents. Any unauthorized alteration, forgery or falsification of the content or appearance of this document is unlawful and offenders may be prosecuted to the fullest extent of the law.

Compliance Certification Services (Kunshan) Inc.
 No.10 Weiye Road, Development Zone, Kunshan, Jiangsu, China
www.sgsgroup.com.cn
 Member of the SGS Group (SGS SA)

VERIFICATION OF COMPLIANCE

No.:	GPSD SUES2404000454AT
Applicant:	Zhejiang Uniview Technologies Co., Ltd. No. 369, Xietong Road, Xixing Sub-district, Binjiang District, Hangzhou City, 310051, Zhejiang Province, China
Manufacturer:	Zhejiang Uniview Technologies Co., Ltd. No. 369, Xietong Road, Xixing Sub-district, Binjiang District, Hangzhou City, 310051, Zhejiang Province, China
Product Name:	IP Camera
Model No.:	Uho-P1A-M3F4D, Uho-P1A-M3F4D-N, Uho-P1A-M3F4D-NB, Uho-P1A-M5F4D, Uho-P1A-M5F4D-NB, Uho-P1A-xxxxxxx-yyyyyyy-zzzz (where "x", "y", "z" may be blank, one letter or more combination letters from "0-9", "A-Z" and "a-z"; "-" is optional)
Trade Mark:	
Rating:	DC 12 V, 1,5 A
Protection against Electric Shock:	Class III
Additional Information (if any):	None
Sufficient samples of the product have been tested and found to be in conformity with	
Test Standard:	EN IEC 62368-1:2020+A11: 2020
as shown in the	
Test Report Number(s):	SUES240400045401

This Verification of Compliance has been granted to the applicant based on the results of tests performed by Laboratory of SGS-CSTC Standards Technical Services Co., Ltd. on sample of the above-mentioned product in accordance with the provisions of the relevant specific standards and the General Product Safety Directive 2001/95/EC.

Dan Xie

Technical Manager

SGS-CSTC Standards Technical Services Co., Ltd.

2024-04-29

This document is issued by the Company under its General Conditions of Service accessible at http://www.sgs.com/terms_and_conditions.htm. Attention is drawn to the limitation of liability, indemnification and jurisdiction issues defined therein.

Any holder of this document is advised that information contained hereon reflects the Company's findings at the time of its intervention only and within the limits of Client's instructions, if any. The Company's sole responsibility is to its client and this document does not exonerate parties to a transaction from exercising all their rights and obligations under the transaction documents. Any unauthorized alteration, forgery or falsification of the content or appearance of this document is unlawful and offenders may be prosecuted to the fullest extent of the law.

SGS-CSTC Standards Technical Services Co., Ltd.
16F, Century Yu Hui Mansion, No.73, Fucheng Road, Haidian
District, Beijing, 100142, CHINA
www.sgs.com
Member of the SGS Group (SGS SA)

VERIFICATION OF COMPLIANCE

Verification No.: KSCR240400058501ATC

Applicant: Zhejiang Uniview Technologies Co., Ltd.

Address of Applicant: No. 369, Xietong Road, Xixing Sub-district, Binjiang District, Hangzhou City, 310051, Zhejiang Province, China

Manufacturer: Zhejiang Uniview Technologies Co., Ltd.

Address of Manufacturer: No. 369, Xietong Road, Xixing Sub-district, Binjiang District, Hangzhou City, 310051, Zhejiang Province, China

Product Description: IP Camera

Model No.: Uho-P1A-M5F4D,Uho-P1A-M5F4D-NB,Uho-P1A-M3F4D,Uho-P1A-M3F4D-N,Uho-P1A-M3F4D-NB,Uho-P1A-xxxxxxx-yyyyyyy-zzzz (where x,y,z may be blank, one letter or more combination letters from '0-9, A-Z and a-z'; '-' is optional)

Test Standards: EN 301 489-1 V2.2.3
EN 301 489-17 V3.2.4
EN 300 328 V2.2.2
EN IEC 62311: 2020

Test Report Number(s): KSCR240400058501, KSCR240400058502, KSCR240400058503, KSCR230600105902

Conclusion

Based on a review of the test report(s) detailed above, this apparatus meets the requirements of above standards. The product is in conformity with the essential requirements of Article 3.1 (a) the protection of the health and with/without safety, 3.1 (b) an adequate level of electromagnetic compatibility and 3.2 effective use of the spectrum of 2014/53/EU.

The CE mark can be used, under the responsibility of the manufacturer, after completion of an EU Declaration of Conformity and compliance with all relevant EU Directives.



Terry Hou
Technical Manager

Compliance Certification Services (Kunshan) Inc.

Date: 2024-04-24



This document is issued by the Company under its General Conditions of Service accessible at http://www.sgs.com/terms_and_conditions.htm. Attention is drawn to the limitation of liability, indemnification and jurisdiction issues defined therein.

Any holder of this document is advised that information contained hereon reflects the Company's findings at the time of its intervention only and within the limits of Client's instructions, if any. The Company's sole responsibility is to its client and this document does not exonerate parties to a transaction from exercising all their rights and obligations under the transaction documents. Any unauthorized alteration, forgery or falsification of the content or appearance of this document is unlawful and offenders may be prosecuted to the fullest extent of the law.

Compliance Certification Services (Kunshan) Inc.
No.10 Weiye Road, Development Zone, Kunshan, Jiangsu, China
www.sgsgroup.com.cn
Member of the SGS Group (SGS SA)



ΔΗΛΩΣΗ ΣΥΜΜΟΡΦΩΣΗΣ ΕΕ

Nr 2023/01041

Για τα ακόλουθα προϊόντα

εξοπλισμού : WIFI Κάμερα

Τύπος Προϊόντος/Εμπορικό Uho-S3E-M3

Σήμα: Uho-S2

Uho-S3E-M5TD

Uho-S3S-M33D

Uho-P2S-M33F34

Uho-B2D-M3F3D

Uho-P1A-M3F4D

Όνομα Κατασκευαστή: : ZHEJIANG UNIVIEW TECHNOLOGIES CO., LTD

Διεύθυνση Κατασκευαστή: No. 369, Xietong Road, Xixing Sub-district,
Binjiang District, Hangzhou City, China (zhejiang)
Pilot Free Trade Zone

στο οποίο αναφέρεται η παρούσα δήλωση, και είναι σύμφωνο με τα ακόλουθα πρότυπα ή άλλα έγγραφα κανονισμού:"

Οδηγία 2014/53/ΕΕ του Συμβουλίου - Οδηγία για τους φορείς καταχώρισης

EN 55032:2015+A11:2020+A1:2020
EN 50130-4:2011+A1:2014
EN IEC 61000-3-2:2019+A1:2021
EN 61000-3-3:2013+A1:2019+A2:2021
EN IEC 62368-1:2020+A11:2020
EN 301 489-1
EN 301 489-17
EN 300 328
EN IEC 62311:2020

Οδηγία (ΕΕ) 2015/863 του Συμβουλίου για την τροποποίηση του παραρτήματος II της οδηγίας 2011/65/ΕΕ

"Υπεύθυνος για την κατάθεση αυτής της δήλωσης είναι ο:

Κατασκευαστής Εξουσιοδοτημένος εκπρόσωπος που έχει εγκατασταθεί στην ΕΕ



Υπεύθυνος για την κατάθεση αυτής της δήλωσης

Όνομα, Επίθετο : 白宗杭

Θέση/Τίτλος : Sales Engineer

Hangzhou

2024.07.24

(Μέρος)

(Ημερομηνία)

(Σφραγίδα της εταιρείας και νόμιμη υπογραφή)

