

# LogiLink®

## Adjustable Under Desk/Wall CPU Mount

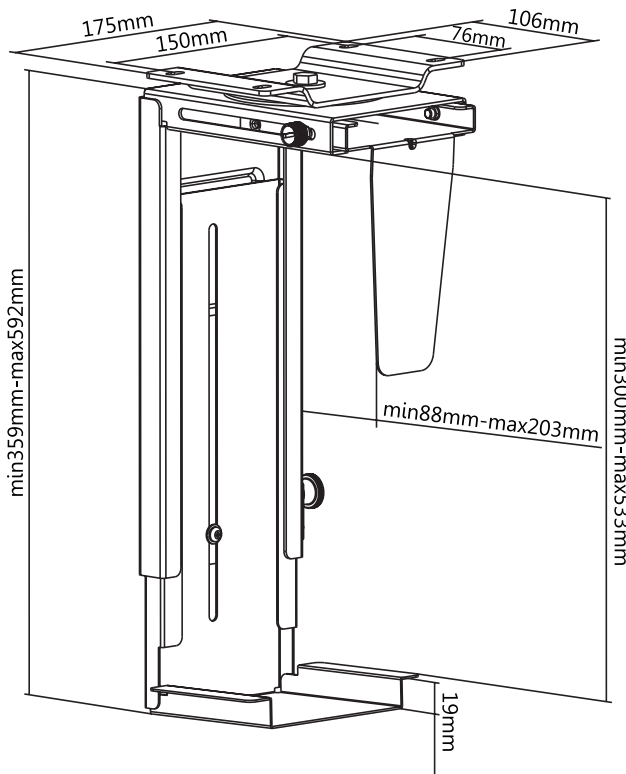
Art. No.: EO0005



Designed to mount the computer under the desk to save more space in the working area.

### Features:

- » Fits the CPU up to 10kg
- » Sturdy and simple design
- » 360° rotate

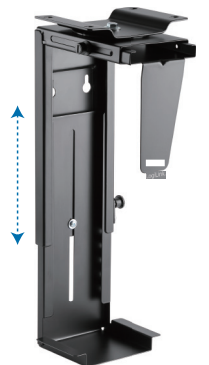


Under Desk  
Installation



Wall  
Installation

300mm-533mm  
Height Adjustable



88mm-203mm  
Width Adjustable



EO0005



4 052792 048100

Made in China



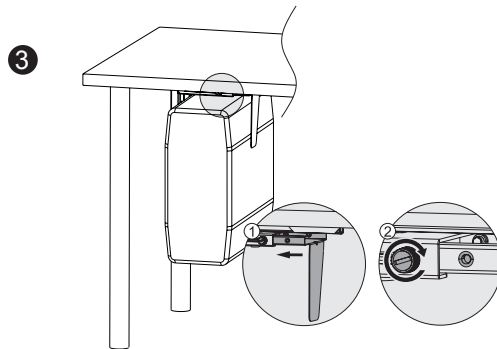
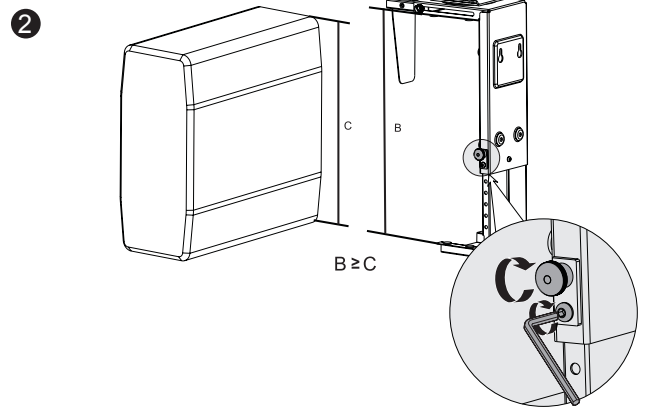
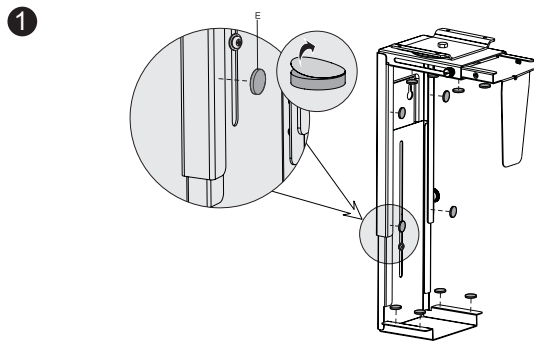
\* The specifications and pictures are subject to change without notice.  
\* All trade names referenced are the registered trademark of their respective owners.

Best Connectivity

# LogiLink®

## Adjustable Under Desk/Wall CPU Mount

Art. No.: EO0005



### Specification:

Rated Load	10kg (22lbs)
Height Adjustable	300-533mm
Width Adjustable	88-203mm
Rotation	360°

### Package Contents:

- » 1 x CPU Mount
- » 1 x Screw Pack
- » 1 x User Manual

### Package Informations:

- » Packing Dimension: 370 x 180 x 180mm
- » Packing Weight: kg
- » Carton Dimension: 560 x 390 x 380mm
- » Carton Q'ty: 6pcs
- » Carton Weight: 19.5kg



\* The specifications and pictures are subject to change without notice.  
\*All trade names referenced are the registered namework of their respective owners.



EO0005



4 052792 048100

Made in China