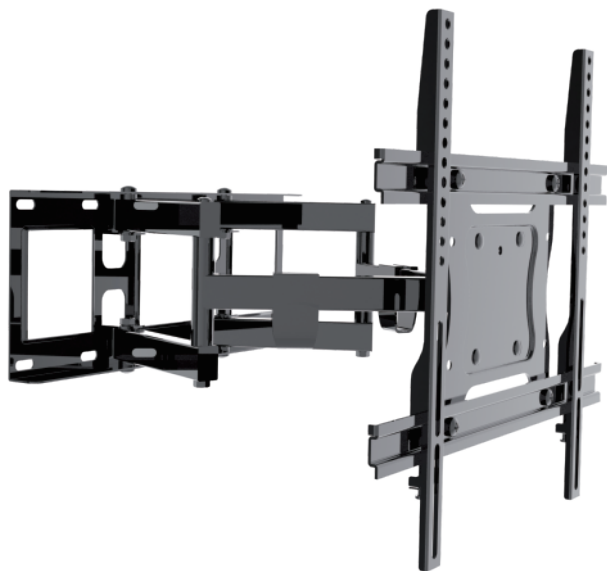


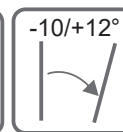
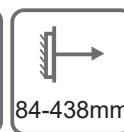
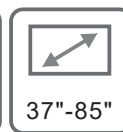
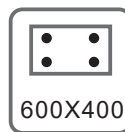
Universal Full Motion TV Mount

WMS76-64AT-L



Focus Mount

- Wall distance 84-438mm
- Angle free tilt -10 to +12 degrees
- Bubble level include
- Cable management



Item: WMS76-64AT-L
Made in China

CE RoHS

DOTMEDIA LTD
18 KATEVASIAS str & DALIAS str
ACHARNES 13671 ATHENS-GREECE
Tel. +302102849836
Fax +302102446835
Mail: info@dot-media.gr



IMPORTANT

Installer and Users please note:

These instructions should be read carefully and left with the user of the product for future reference.

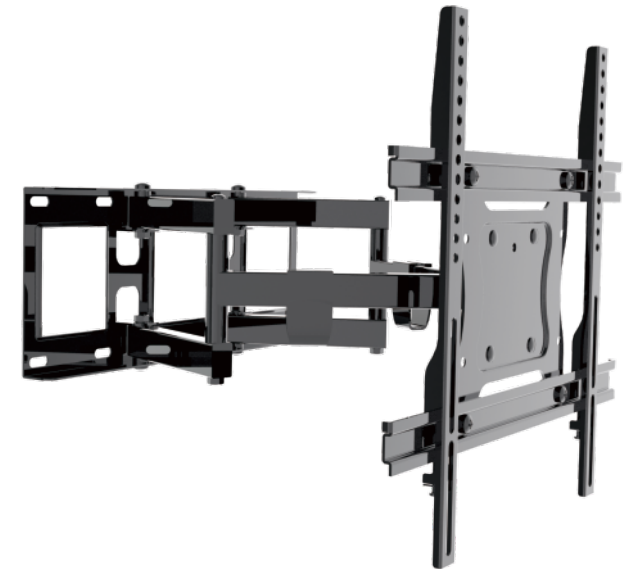
BEFORE USE

Inspect the product for any signs of damage. If the product is damaged, DO NOT use it, and contact your supplier immediately

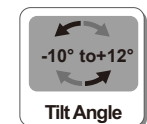
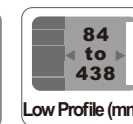
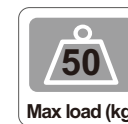
PRODUCT SAFETY

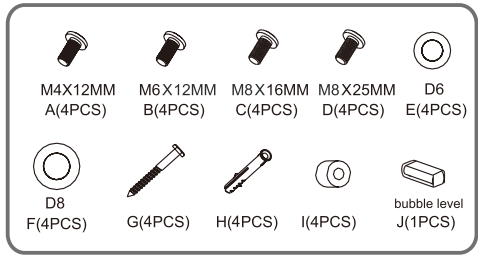
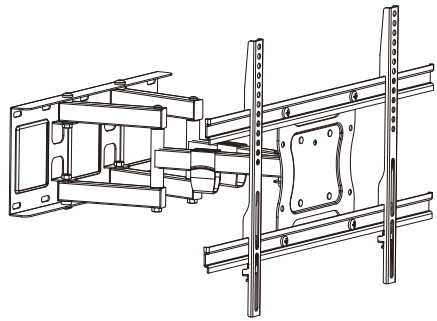
- Prior to the installation of this product, the installation instructions should be read and completely understood. The installation instructions must be read to prevent personal injury and property damage. Keep these installation instructions in an easily accessible location for future reference.
- CAUTION: Do not exceed maximum load capacity. Use with products exceeding the maximum load capacity may cause serious injury. See appliance instructions.
- Do not install on a structure that is prone to vibration, movement or chance of impact. Failure to do so could result in damage to the display and/or damage to the stand.
- Do not place near heater, fireplace, air conditioning, in direct sunlight, or any other heat producing source. Failure to do so may result in damage to the display and could increase the risk of fire.
- It is recommended that two people perform the installation. Injury and/or damage can result from dropping or mishandling the display.
- The enclosed instructions are an aid to installation and cannot cover all eventualities, if you have any concerns regarding the mounting of the frame or brackets you should consult an expert.
- CAUTION: Before installation the mounting area should be checked that it is suitable for the weight of the bracket and screen and is free from pipes, electric cables or any other obstructions.

DUAL PIVOT TILT & SWIVEL FLAT PANEL TV AND CURVED TV BRACKET

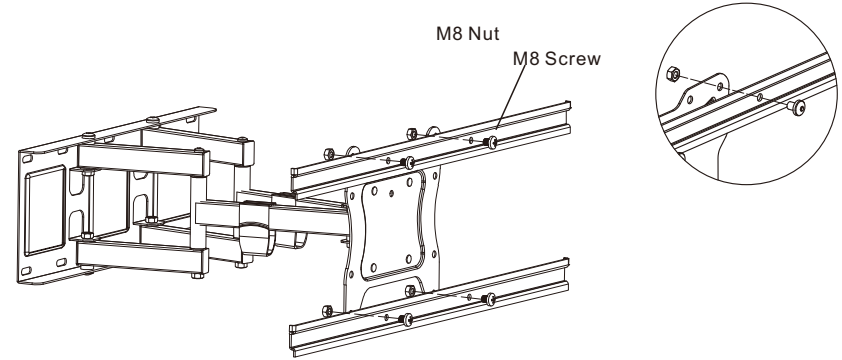


WMS76-64AT-L

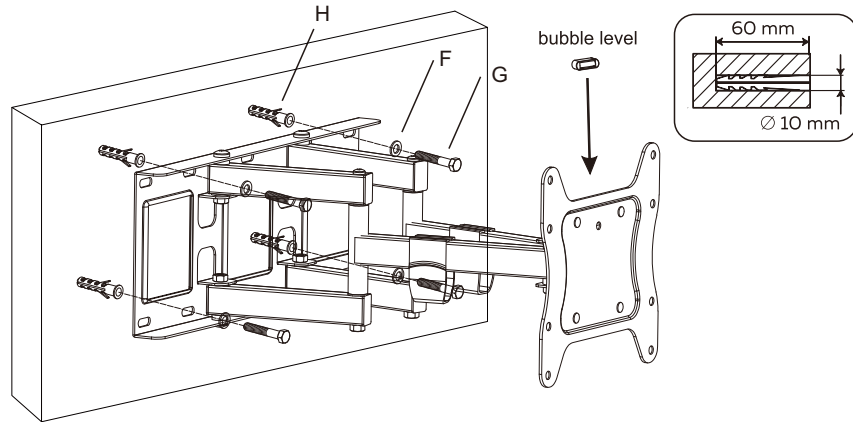




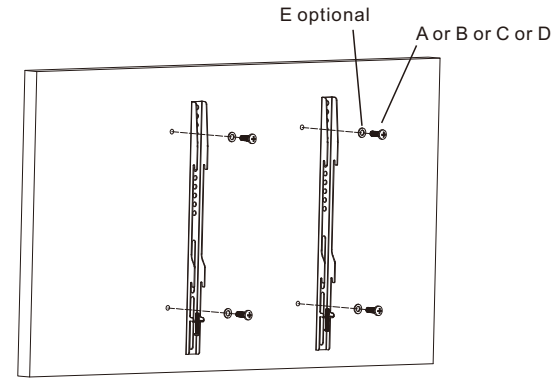
STEP2 Fix the cross bar to the VESA plate



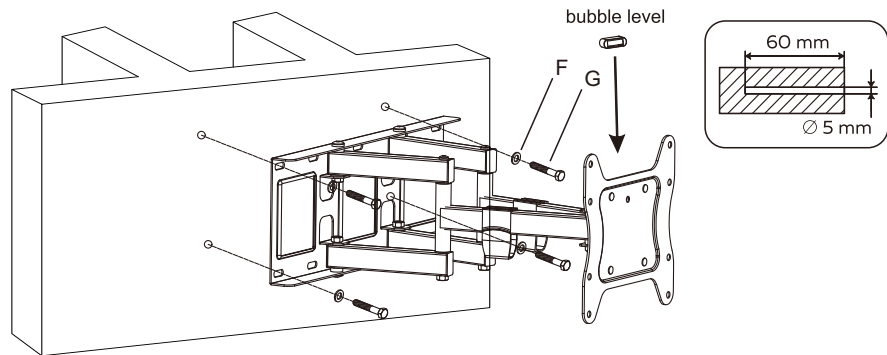
STEP1A Concrete wall mounting



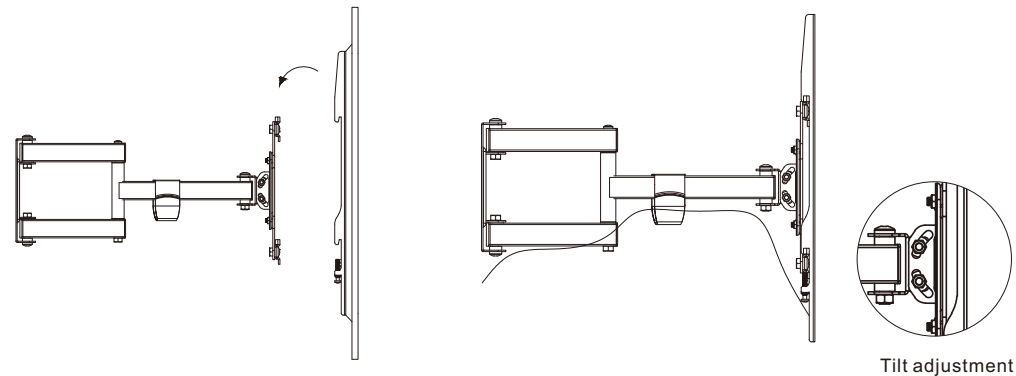
STEP3 Attach the TV to the bracket



STEP1B Wood stud wall mounting



STEP4 Hang the TV onto the bracket



Tilt adjustment