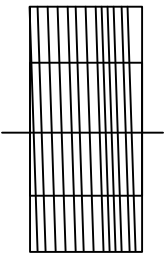
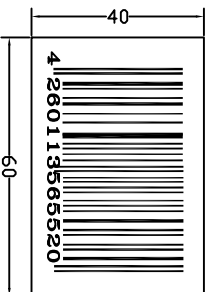
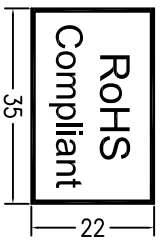
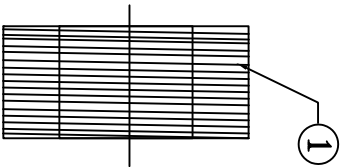
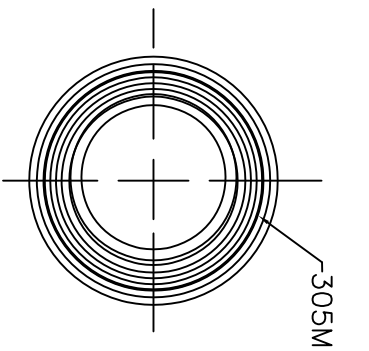
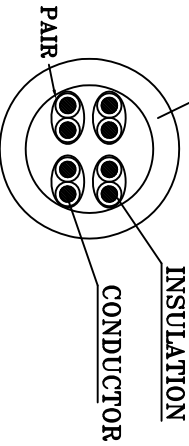


ITEM NO:	REMARK
CPV0020	



OUTER JACKET



WIRE SECTION



- NOTES:
- 1) CABLE LENGTH: 305M
 - 2) EASY PULL WHITE BOX
 - 3) IPC 50*90MM STICKER on both sides of white box
 - 4) IPC 40*60MM EAN label on shipping mark of outer carton
 - 5) ROHS label stick next to EAN label
 - 6) CABLE with ROHS Compliant

CABLE:
 1) CAT.5E UTP 26#4P(1*0.45)CCA, SOLID TYPE OD:5.5MM
 LIGHT GRAY(3014) 305M/ROLL. (ROHS)
 CABLE PRINTER:UTP CAT.5e NETWORKING INSTALLATION CABLE AWG 26/1*4P

A	FIRST EDITION	DR	DATE
REV	DESCRIPTION	DR	DATE
2DIRECT GMBH			
TITLE		P/N	CPV0020
UTP CABLE (ROHS)		DR	gmx 30/09/07
Drawing no. 0256		UNIT:MM	
CHKD:	APPD:	CONF:	
		SIZE:A4	