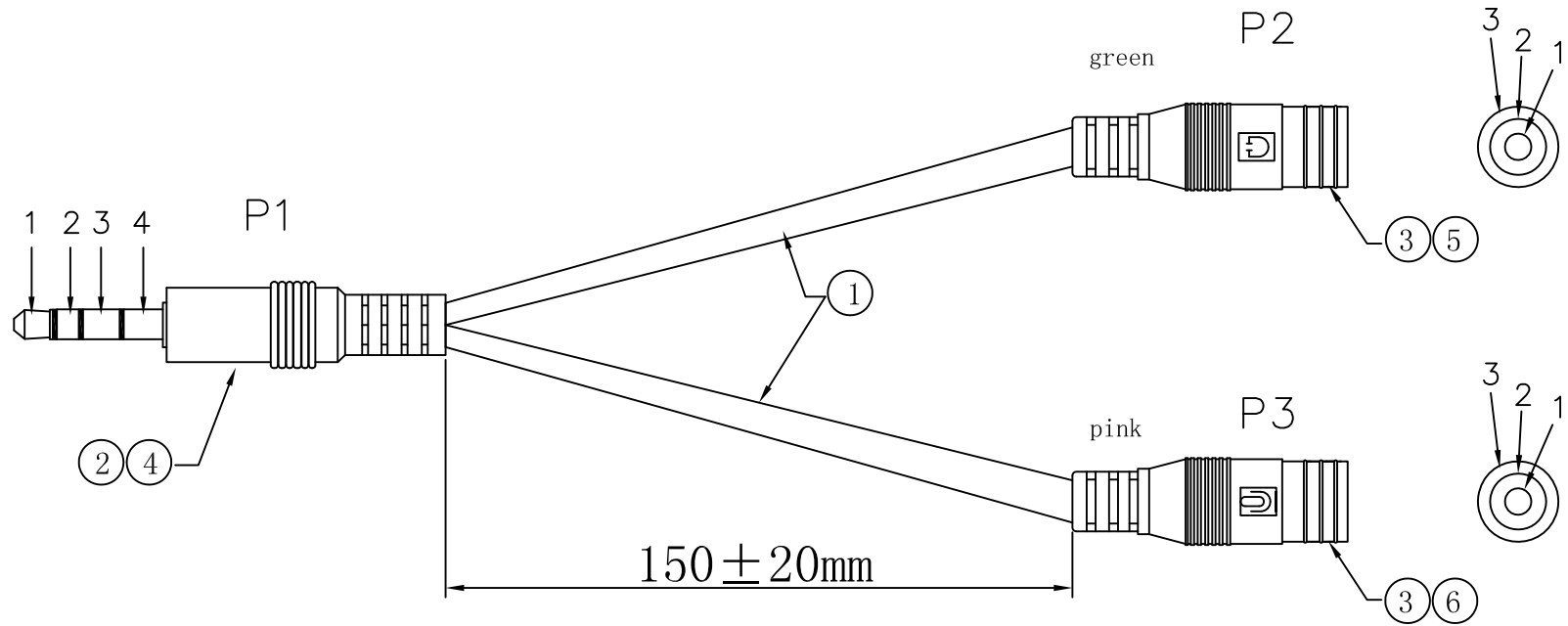
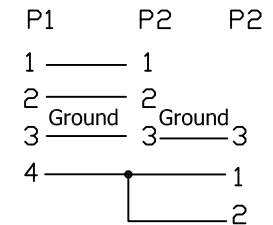


FILE AMEND NOTE	DATE	REV.
ORIGINAL EDITION	2014-02-19	A/0



Item-No.:  
CA0021

PIN ASSIGNMENT



MATERIAL LIST:

6	MOLDING	PVC-pink		
5	MOLDING	PVC-green		
4	MOLDING	PVC-black		
3	CONNECTOR	3.5mm stered female, 3P, gold plated		
2	CONNECTOR	3.5mm stered male, 4P, gold plated		
1	CABLE	(7/0.12TA)*2C+D7/0.12TA OD:3.0mm BLACK L=15CM		
No.	PART NAME	DESCRIPTION	QTY	REMARK

<b>LogiLink</b>				
DRAW No.	2D-AV142192	NAME	Audio adapter 3.5 stereo 4p male to 2* 2*3.5mm stereo female, 15cm	
		2 direct GmbH	MAPE	TOLERANCE
				X. ±1.00 X.X ±0.50
APPROVE BY	CHECK BY	DRAW BY	SCALE	MM
AV142192	William	AV142192	PAGE	1/1